



COMMONWEALTH OF KENTUCKY
TRANSPORTATION CABINET

www.transportation.ky.gov/

Andy Beshear
GOVERNOR

Jim Gray
SECRETARY

September 22, 2021

CALL NO. 201
CONTRACT ID NO. 211336
ADDENDUM # 2

Subject: Kenton-Boone Counties, 121GR21D036-STP
Letting September 24, 2021

- (1) Added - Contact Information - Page 71(a) of 420
- (2) Revised - Material Summary - Pages 343-350 of 420
- (3) Revised - Proposal Bid Items - Pages 414-420 of 420
- (4) Revised - Plan Sheet - U18
- (5) Added - Plan Sheet - U23

Proposal revisions are available at <http://transportation.ky.gov/Construction-Procurement/>.

If you have any questions, please contact us at 502-564-3500.

Sincerely,

Rachel Mills,

A handwritten signature in cursive script that reads "Rachel Mills".

Rachel Mills, P.E.
Director
Division of Construction Procurement

RM:mr
Enclosures

Duke Energy Pre-qualified Gas Contractor Phone Numbers (REVISED 9/17/2021)

AMS Construction – 10670 Loveland Madeira Rd., Loveland, OH 45140
Phone- 513-794-0410 Fax: 513-794-0414
Contact: Dale Franklin, Cell Phone - 513-276-0329 dale@amsdigs.com

RLA Investments – 603 Sheperd Lane, Cincinnati, Ohio 45215
Office: 513-554-1469 Fax: 513-554-1221
Contact: Scott Moody, Cell Phone – 513-623-4258, rlainvestment@fuse.net

KS Energy Co – 755 US-50, Milford, OH 45150
Office: 513-271-5616
Contact: Leon Morrison, Cell Phone – 513-582-9024, Lmorrison@ksenergyservices.com

Infrasource Incorporated – 5748 Glenn Highway, Cambridge OH 43725
Contact: John Bentley, Phone – 412-523-9980, John.Bentley@infrasourceinc.com

MATERIAL SUMMARY

CONTRACT ID: 211336

121GR21D036-STP

DE00805362136

MOUNT ZION ROAD (KY 536) RECONSTRUCT FROM US25 TO KENTON COUNTY LINE. GRADE, DRAIN & SURFACE WITH BRIDGE.

Project Line No	Bid Code	DESCRIPTION	Quantity	Unit
0940	00001	DGA BASE	4,816.00	TON
0945	00013	LIME STABILIZED ROADBED	15,089.00	SQYD
0950	00014	LIME	299.00	TON
0955	00018	DRAINAGE BLANKET-TYPE II-ASPH	2,842.00	TON
0960	00190	LEVELING & WEDGING PG64-22	509.00	TON
0965	00214	CL3 ASPH BASE 1.00D PG64-22	5,165.00	TON
0970	00221	CL2 ASPH BASE 0.75D PG64-22	532.00	TON
0975	00301	CL2 ASPH SURF 0.38D PG64-22	325.00	TON
0980	00356	ASPHALT MATERIAL FOR TACK	9.00	TON
0985	00358	ASPHALT CURING SEAL	12.00	TON
0990	00358	ASPHALT CURING SEAL	15.00	TON
0995	00388	CL3 ASPH SURF 0.38B PG64-22	1,443.00	TON
1000	02101	CEM CONC ENT PAVEMENT-8 IN	70.00	SQYD
1005	02677	ASPHALT PAVE MILLING & TEXTURING	81.00	TON
1010	02702	SAND FOR BLOTTER	75.00	TON
1015	00078	CRUSHED AGGREGATE SIZE NO 2	788.00	TON
1020	01015	INSPECT & CERTIFY EDGE DRAIN SYSTEM - (BOONE COUNTY)	1.00	LS
1025	01810	STANDARD CURB AND GUTTER	3,625.00	LF
1030	01825	ISLAND CURB AND GUTTER	490.00	LF
1035	01875	STANDARD HEADER CURB	27.00	LF
1040	01921	STANDARD BARRIER MEDIAN TYPE 4	273.00	SQYD
1045	01982	DELINEATOR FOR GUARDRAIL MONO DIRECTIONAL WHITE	8.00	EACH
1050	01984	DELINEATOR FOR BARRIER - WHITE	10.00	EACH
1055	01987	DELINEATOR FOR GUARDRAIL BI DIRECTIONAL WHITE	5.00	EACH
1060	02001	CURB TO BARRIER WALL TRANS	1.00	EACH
1065	02014	BARRICADE-TYPE III	2.00	EACH
1070	02159	TEMP DITCH	1,568.00	LF
1075	02160	CLEAN TEMP DITCH	784.00	LF
1080	02230	EMBANKMENT IN PLACE	46,581.00	CUYD
1085	02242	WATER	50.00	MGAL
1090	02351	GUARDRAIL-STEEL W BEAM-S FACE	2,863.50	LF
1095	02360	GUARDRAIL TERMINAL SECTION NO 1	1.00	EACH
1100	02369	GUARDRAIL END TREATMENT TYPE 2A	2.00	EACH
1105	02381	REMOVE GUARDRAIL	2,949.00	LF
1110	02387	GUARDRAIL CONNECTOR TO BRIDGE END TY A-1	1.00	EACH
1115	02391	GUARDRAIL END TREATMENT TYPE 4A	1.00	EACH
1120	02429	RIGHT-OF-WAY MONUMENT TYPE 1	6.00	EACH
1125	02432	WITNESS POST	10.00	EACH
1130	02483	CHANNEL LINING CLASS II	329.00	TON
1135	02545	CLEARING AND GRUBBING - (BOONE COUNTY)	1.00	LS
1140	02562	TEMPORARY SIGNS	433.00	SQFT
1145	02585	EDGE KEY	19.20	LF

MATERIAL SUMMARY

Project Line No	Bid Code	DESCRIPTION	Quantity	Unit
1150	02603	FABRIC-GEOTEXTILE CLASS 2	1,900.00	SQYD
1155	02650	MAINTAIN & CONTROL TRAFFIC - (BOONE COUNTY)	1.00	LS
1160	02671	PORTABLE CHANGEABLE MESSAGE SIGN	1.00	EACH
1165	02676	MOBILIZATION FOR MILL & TEXT - (BOONE COUNTY)	1.00	LS
1170	02701	TEMP SILT FENCE	1,568.00	LF
1175	02703	SILT TRAP TYPE A	20.00	EACH
1180	02704	SILT TRAP TYPE B	20.00	EACH
1185	02705	SILT TRAP TYPE C	20.00	EACH
1190	02706	CLEAN SILT TRAP TYPE A	40.00	EACH
1195	02707	CLEAN SILT TRAP TYPE B	40.00	EACH
1200	02708	CLEAN SILT TRAP TYPE C	40.00	EACH
1205	02720	SIDEWALK-4 IN CONCRETE	182.00	SQYD
1210	02726	STAKING - (BOONE COUNTY)	1.00	LS
1215	02775	ARROW PANEL	1.00	EACH
1220	05950	EROSION CONTROL BLANKET	2,775.00	SQYD
1225	05952	TEMP MULCH	64,500.00	SQYD
1230	05953	TEMP SEEDING AND PROTECTION	48,370.00	SQYD
1235	05963	INITIAL FERTILIZER	2.20	TON
1240	05964	MAINTENANCE FERTILIZER	3.70	TON
1245	05985	SEEDING AND PROTECTION	67,200.00	SQYD
1250	05990	SODDING	4,292.00	SQYD
1255	05992	AGRICULTURAL LIMESTONE	60.00	TON
1260	06406	SBM ALUM SHEET SIGNS .080 IN	123.69	SQFT
1265	06407	SBM ALUM SHEET SIGNS .125 IN	70.09	SQFT
1270	06410	STEEL POST TYPE 1	214.30	LF
1275	06411	STEEL POST TYPE 2	20.00	LF
1280	06490	CLASS A CONCRETE FOR SIGNS	2.30	CUYD
1285	06510	PAVE STRIPING-TEMP PAINT-4 IN	8,505.00	LF
1290	06542	PAVE STRIPING-THERMO-6 IN W	3,049.00	LF
1295	06543	PAVE STRIPING-THERMO-6 IN Y	7,472.00	LF
1300	06566	PAVE MARKING-THERMO X-WALK-12 IN	55.00	LF
1305	06568	PAVE MARKING-THERMO STOP BAR-24IN	96.00	LF
1310	06569	PAVE MARKING-THERMO CROSS-HATCH	5,092.00	SQFT
1315	06574	PAVE MARKING-THERMO CURV ARROW	17.00	EACH
1320	06575	PAVE MARKING-THERMO COMB ARROW	3.00	EACH
1325	06576	PAVE MARKING-THERMO ONLY	1.00	EACH
1330	08902	CRASH CUSHION TY VI CLASS B TL3	1.00	EACH
1335	10020NS	FUEL ADJUSTMENT	34,317.00	DOLL
1340	10030NS	ASPHALT ADJUSTMENT	26,700.00	DOLL
1345	20071EC	JOINT ADHESIVE	7,650.00	LF
1350	20100ES842	PAVE MARK TEMP PAINT LINE ARROW	8.00	EACH
1355	20191ED	OBJECT MARKER TY 3	3.00	EACH
1360	20550ND	SAWCUT PAVEMENT	1,002.00	LF
1365	21289ED	LONGITUDINAL EDGE KEY	977.00	LF
1370	21417ES717	PAVE MARK THERMO CONE CAP-SOLID YELLOW	77.00	SQFT
1375	21596ND	GMSS TYPE D	9.00	EACH
1380	22664EN	WATER BLASTING EXISTING STRIPE	433.00	LF
1385	23007EN	CONC MEDIAN BARRIER TY 9T	800.00	LF
1390	23010EN	PAVE MARK TEMP PAINT STOP BAR-24 IN	96.00	LF
1395	23158ES505	DETECTABLE WARNINGS	262.00	SQFT

MATERIAL SUMMARY

Project Line No	Bid Code	DESCRIPTION	Quantity	Unit
1400	24489EC	INLAID PAVEMENT MARKER	192.00	EACH
1405	24540	R/W MONUMENT TYPE 3	4.00	EACH
1410	24631EC	BARCODE SIGN INVENTORY	32.00	EACH
1415	24679ED	PAVE MARK THERMO CHEVRON	1,575.00	SQFT
1420	24683ED	PAVE MARKING-THERMO DOTTED LANE EXTEN	526.00	LF
1425	24814EC	PIPELINE INSPECTION	862.00	LF
1430	25078ED	THRIE BEAM GUARDRAIL TRANSITION TL-3	2.00	EACH
1435	00521	STORM SEWER PIPE-15 IN	754.00	LF
1440	00522	STORM SEWER PIPE-18 IN	69.00	LF
1445	00524	STORM SEWER PIPE-24 IN	39.00	LF
1450	01000	PERFORATED PIPE-4 IN	3,564.00	LF
1455	01010	NON-PERFORATED PIPE-4 IN	66.00	LF
1460	01020	PERF PIPE HEADWALL TY 1-4 IN	2.00	EACH
1465	01028	PERF PIPE HEADWALL TY 3-4 IN	1.00	EACH
1470	01202	PIPE CULVERT HEADWALL-15 IN	5.00	EACH
1475	01204	PIPE CULVERT HEADWALL-18 IN	2.00	EACH
1480	01456	CURB BOX INLET TYPE A	16.00	EACH
1485	01459	CURB BOX INLET TYPE A MOD	1.00	EACH
1490	01490	DROP BOX INLET TYPE 1	4.00	EACH
1495	01559	DROP BOX INLET TYPE 13G	3.00	EACH
1500	01584	CAP DROP BOX INLET	3.00	EACH
1505	01641	JUNCTION BOX-15 IN	1.00	EACH
1510	01740	CORED HOLE DRAINAGE BOX CON-4 IN	29.00	EACH
1515	02607	FABRIC-GEOTEXTILE CLASS 2 FOR PIPE	2,331.00	SQYD
1520	08100	CONCRETE-CLASS A	3.00	CUYD
1525	21541NN	CORED HOLE DRAINAGE BOX CON- 18 IN	1.00	EACH
1530	23610NC	CORED HOLE DRAINAGE BOX CON	1.00	EACH
1535	02231	STRUCTURE GRANULAR BACKFILL	148.20	CUYD
1540	02403	REMOVE CONCRETE MASONRY	53.00	CUYD
1545	03299	ARMORED EDGE FOR CONCRETE	48.50	LF
1550	08016	REINF CONC SLOPE WALL-6 IN	328.00	SQYD
1555	08033	TEST PILES	79.00	LF
1560	08046	PILES-STEEL HP12X53	288.00	LF
1565	08094	PILE POINTS-12 IN	10.00	EACH
1570	08100	CONCRETE-CLASS A	79.10	CUYD
1575	08104	CONCRETE-CLASS AA	222.30	CUYD
1580	08150	STEEL REINFORCEMENT	20,386.00	LB
1585	08151	STEEL REINFORCEMENT-EPOXY COATED	57,824.00	LB
1590	08672	PRECAST PC BOX BEAM SB42	643.00	LF
1595	08709	BRIDGE CHAIN LINK FENCE-7 FT	436.20	LF
1600	20637ED	DRILLED SHAFT-ROCK 48 IN	40.00	LF
1605	20745ED	ROCK SOUNDINGS	90.00	LF
1610	20746ED	ROCK CORINGS	88.00	LF
1615	22417EN	DRILLED SHAFT-54 IN-COMMON	45.00	LF
1620	23378EC	CONCRETE SEALING	10,662.00	SQFT
1625	23849EC	BICYCLE RAIL	218.10	LF
1630	25027ED	RAIL SYSTEM SINGLE SLOPE - 36 IN	218.10	LF
1635	04792	CONDUIT-1 IN	10.00	LF
1640	04811	ELECTRICAL JUNCTION BOX TYPE B	2.00	EACH
1645	04820	TRENCHING AND BACKFILLING	132.00	LF

MATERIAL SUMMARY

Project Line No	Bid Code	DESCRIPTION	Quantity	Unit
1650	04830	LOOP WIRE	950.00	LF
1655	04844	CABLE-NO. 14/5C	1,520.00	LF
1660	04845	CABLE-NO. 14/7C	108.00	LF
1665	04850	CABLE-NO. 14/1 PAIR	1,022.00	LF
1670	04885	MESSENGER-10800 LB	361.00	LF
1675	04895	LOOP SAW SLOT AND FILL	358.00	LF
1680	04932	INSTALL STEEL STRAIN POLE	4.00	EACH
1685	04953	TEMP RELOCATION OF SIGNAL HEAD	7.00	EACH
1690	20093NS835	INSTALL PEDESTRIAN HEAD-LED	2.00	EACH
1695	20188NS835	INSTALL LED SIGNAL-3 SECTION	5.00	EACH
1700	20266ES835	INSTALL LED SIGNAL- 4 SECTION	2.00	EACH
1705	20390NS835	INSTALL COORDINATING UNIT	1.00	EACH
1710	21743NN	INSTALL PEDESTRIAN DETECTOR	2.00	EACH
1715	23157EN	TRAFFIC SIGNAL POLE BASE	17.20	CUYD
1720	23235EC	INSTALL PEDESTAL POST	2.00	EACH
1725	24900EC	PVC CONDUIT-1 1/4 IN-SCHEDULE 80	112.00	LF
1730	24901EC	PVC CONDUIT-2 IN-SCHEDULE 80	40.00	LF
1735	24908EC	INSTALL SIGNAL CONTROLLER-TY ATC	1.00	EACH
1740	24955ED	REMOVE SIGNAL EQUIPMENT	1.00	EACH
1745	14020	W FIRE HYDRANT RELOCATE	1.00	EACH
1750	14037	W PIPE DUCTILE IRON 08 INCH	320.00	LF
1755	14095	W TIE-IN 08 INCH	1.00	EACH
1760	14106	W VALVE 08 INCH	1.00	EACH
1765	15019	S ENCASEMENT STEEL BORED RANGE 6	248.00	LF
1770	15023	S ENCASEMENT STEEL OPEN CUT RANGE 4	105.00	LF
1775	15026	S FORCE MAIN AIR RLS/VAC VLV 02 IN	2.00	EACH
1785	15090	S LATERAL SHORT SIDE 06 INCH	2.00	EACH
1790	15092	S MANHOLE	1.00	EACH
1795	15093	S MANHOLE ABANDON/REMOVE	1.00	EACH
1800	15112	S PIPE PVC 08 INCH	8.00	LF
1805	15123	S LINE MARKER	7.00	EACH
1810	15500	S ENCASEMENT SPECIAL INST	1.00	LF
1815	40027	ROCK EXCAVATION	100.00	CUYD
1820	02568	MOBILIZATION	1.00	LS
1825	02569	DEMOBILIZATION	1.00	LS
1830	15142	S FORCE MAIN DCTL IRON RSTRND 18 IN - (REVISED 9-22-2021)	2,004.00	LF

CONTRACT ID: 211336

121GR21D036-STP

DE05905362136

MOUNT ZION ROAD (KY 536) RECONSTRUCTION FROM BOONE COUNTY LINE TO KY1303. GRADE, DRAIN & SURFACE WITH BRIDGE.

Project Line No	Bid Code	DESCRIPTION	Quantity	Unit
0005	00001	DGA BASE	12,203.00	TON
0010	00013	LIME STABILIZED ROADBED	32,171.00	SQYD
0015	00014	LIME	1,097.00	TON

MATERIAL SUMMARY

Project Line No	Bid Code	DESCRIPTION	Quantity	Unit
0020	00018	DRAINAGE BLANKET-TYPE II-ASPH	6,335.00	TON
0025	00020	TRAFFIC BOUND BASE	318.00	TON
0030	00100	ASPHALT SEAL AGGREGATE	13.00	TON
0035	00103	ASPHALT SEAL COAT	1.50	TON
0040	00190	LEVELING & WEDGING PG64-22	119.00	TON
0045	00214	CL3 ASPH BASE 1.00D PG64-22	10,488.00	TON
0050	00216	CL3 ASPH BASE 1.00D PG76-22	2,561.00	TON
0055	00221	CL2 ASPH BASE 0.75D PG64-22	916.00	TON
0060	00301	CL2 ASPH SURF 0.38D PG64-22	1,164.00	TON
0065	00356	ASPHALT MATERIAL FOR TACK	21.00	TON
0070	00358	ASPHALT CURING SEAL	26.00	TON
0075	00358	ASPHALT CURING SEAL	32.00	TON
0080	00387	CL3 ASPH SURF 0.38B PG76-22	1,280.00	TON
0085	00388	CL3 ASPH SURF 0.38B PG64-22	1,087.00	TON
0090	02070	JPC PAVEMENT-12 IN	952.00	SQYD
0095	02084	JPC PAVEMENT-8 IN	802.00	SQYD
0100	02101	CEM CONC ENT PAVEMENT-8 IN	635.00	SQYD
0105	02702	SAND FOR BLOTTER	161.00	TON
0115	00078	CRUSHED AGGREGATE SIZE NO 2	4,503.00	TON
0120	01015	INSPECT & CERTIFY EDGE DRAIN SYSTEM - (KENTON COUNTY)	1.00	LS
0125	01310	REMOVE PIPE	27.00	LF
0130	01810	STANDARD CURB AND GUTTER	8,584.00	LF
0135	01825	ISLAND CURB AND GUTTER	8,449.00	LF
0140	01830	STANDARD INTEGRAL CURB	680.00	LF
0145	01875	STANDARD HEADER CURB	472.00	LF
0150	01891	ISLAND HEADER CURB TYPE 2	415.00	LF
0155	01982	DELINEATOR FOR GUARDRAIL MONO DIRECTIONAL WHITE	15.00	EACH
0160	01987	DELINEATOR FOR GUARDRAIL BI DIRECTIONAL WHITE	55.00	EACH
0165	02014	BARRICADE-TYPE III	10.00	EACH
0170	02091	REMOVE PAVEMENT	1,255.00	SQYD
0175	02159	TEMP DITCH	2,052.00	LF
0180	02160	CLEAN TEMP DITCH	1,026.00	LF
0185	02223	GRANULAR EMBANKMENT	834.00	CUYD
0190	02230	EMBANKMENT IN PLACE	204,295.00	CUYD
0195	02242	WATER	200.00	MGAL
0200	02351	GUARDRAIL-STEEL W BEAM-S FACE	1,986.50	LF
0205	02360	GUARDRAIL TERMINAL SECTION NO 1	6.00	EACH
0210	02367	GUARDRAIL END TREATMENT TYPE 1	2.00	EACH
0215	02369	GUARDRAIL END TREATMENT TYPE 2A	6.00	EACH
0220	02381	REMOVE GUARDRAIL	700.00	LF
0225	02391	GUARDRAIL END TREATMENT TYPE 4A	6.00	EACH
0230	02397	TEMP GUARDRAIL	2,362.50	LF
0235	02429	RIGHT-OF-WAY MONUMENT TYPE 1	38.00	EACH
0240	02432	WITNESS POST	54.00	EACH
0245	02482	CHANNEL LINING CLASS IA	140.00	TON
0250	02483	CHANNEL LINING CLASS II	415.00	TON
0255	02484	CHANNEL LINING CLASS III	1,363.00	TON
0260	02545	CLEARING AND GRUBBING - (KENTON COUNTY)	1.00	LS
0265	02562	TEMPORARY SIGNS	567.00	SQFT

MATERIAL SUMMARY

Project Line No	Bid Code	DESCRIPTION	Quantity	Unit
0270	02603	FABRIC-GEOTEXTILE CLASS 2	8,750.00	SQYD
0275	02650	MAINTAIN & CONTROL TRAFFIC - (KENTON COUNTY)	1.00	LS
0280	02651	DIVERSIONS (BY-PASS DETOURS) - (KENTON COUNTY-3 LOCATIONS)	1.00	LS
0285	02671	PORTABLE CHANGEABLE MESSAGE SIGN	1.00	EACH
0290	02673	PRECAST VEHICLE STOP	145.00	LF
0295	02701	TEMP SILT FENCE	2,052.00	LF
0300	02703	SILT TRAP TYPE A	26.00	EACH
0305	02704	SILT TRAP TYPE B	26.00	EACH
0310	02705	SILT TRAP TYPE C	26.00	EACH
0315	02706	CLEAN SILT TRAP TYPE A	52.00	EACH
0320	02707	CLEAN SILT TRAP TYPE B	52.00	EACH
0325	02708	CLEAN SILT TRAP TYPE C	52.00	EACH
0330	02720	SIDEWALK-4 IN CONCRETE	802.00	SQYD
0335	02726	STAKING - (KENTON COUNTY)	1.00	LS
0340	02731	REMOVE STRUCTURE - (KENTON COUNTY - ALL 6 PARCELS)	1.00	LS
0345	02775	ARROW PANEL	1.00	EACH
0350	05950	EROSION CONTROL BLANKET	6,011.00	SQYD
0355	05952	TEMP MULCH	84,443.00	SQYD
0360	05953	TEMP SEEDING AND PROTECTION	63,337.00	SQYD
0365	05963	INITIAL FERTILIZER	3.00	TON
0370	05964	MAINTENANCE FERTILIZER	4.90	TON
0375	05985	SEEDING AND PROTECTION	87,995.00	SQYD
0380	05990	SODDING	12,316.00	SQYD
0385	05992	AGRICULTURAL LIMESTONE	79.00	TON
0390	06406	SBM ALUM SHEET SIGNS .080 IN	513.38	SQFT
0395	06407	SBM ALUM SHEET SIGNS .125 IN	134.00	SQFT
0400	06410	STEEL POST TYPE 1	909.37	LF
0405	06411	STEEL POST TYPE 2	22.00	LF
0410	06490	CLASS A CONCRETE FOR SIGNS	19.95	CUYD
0415	06510	PAVE STRIPING-TEMP PAINT-4 IN	46,695.00	LF
0420	06542	PAVE STRIPING-THERMO-6 IN W	5,276.00	LF
0425	06543	PAVE STRIPING-THERMO-6 IN Y	11,116.00	LF
0430	06566	PAVE MARKING-THERMO X-WALK-12 IN	389.00	LF
0435	06568	PAVE MARKING-THERMO STOP BAR-24IN	14.00	LF
0440	06569	PAVE MARKING-THERMO CROSS-HATCH	3,103.00	SQFT
0445	06573	PAVE MARKING-THERMO STR ARROW	6.00	EACH
0450	06574	PAVE MARKING-THERMO CURV ARROW	1.00	EACH
0455	06575	PAVE MARKING-THERMO COMB ARROW	8.00	EACH
0460	06578	PAVE MARKING-THERMO MERGE ARROW	3.00	EACH
0465	08901	CRASH CUSHION TY VI CLASS BT TL2	2.00	EACH
0470	10020NS	FUEL ADJUSTMENT	44,937.00	DOLL
0475	10030NS	ASPHALT ADJUSTMENT	34,946.00	DOLL
0480	20071EC	JOINT ADHESIVE	10,010.00	LF
0485	20100ES842	PAVE MARK TEMP PAINT LINE ARROW	2.00	EACH
0490	20191ED	OBJECT MARKER TY 3	4.00	EACH
0495	21417ES717	PAVE MARK THERMO CONE CAP-SOLID YELLOW	44.00	SQFT
0500	21596ND	GMSS TYPE D	80.00	EACH
0505	22520EN	PAVE MARKING-THERMO YIELD BAR-36 IN	174.00	LF
0510	22664EN	WATER BLASTING EXISTING STRIPE	567.00	LF

MATERIAL SUMMARY

Project Line No	Bid Code	DESCRIPTION	Quantity	Unit
0515	22692NS714	PAVEMENT MARKING-THERMO LETTERS	60.00	EACH
0520	23158ES505	DETECTABLE WARNINGS	855.00	SQFT
0525	23274EN11F	TURF REINFORCEMENT MAT 1	257.00	SQYD
0530	23379EC	STAMPED CONCRETE	952.00	SQYD
0535	23649EC	DRAIN POND - (KENTON COUNTY)	1.00	LS
0540	24115EC	ROUNDAABOUT ARROW	16.00	EACH
0545	24489EC	INLAID PAVEMENT MARKER	140.00	EACH
0550	24540	R/W MONUMENT TYPE 3	16.00	EACH
0555	24631EC	BARCODE SIGN INVENTORY	140.00	EACH
0560	24683ED	PAVE MARKING-THERMO DOTTED LANE EXTEN	316.00	LF
0565	24814EC	PIPELINE INSPECTION	3,498.00	LF
0570	00441	ENTRANCE PIPE-18 IN	496.00	LF
0575	00443	ENTRANCE PIPE-24 IN	50.00	LF
0580	00466	CULVERT PIPE-30 IN	177.00	LF
0585	00521	STORM SEWER PIPE-15 IN	958.00	LF
0590	00522	STORM SEWER PIPE-18 IN	1,926.00	LF
0595	01000	PERFORATED PIPE-4 IN	8,139.00	LF
0600	01010	NON-PERFORATED PIPE-4 IN	80.00	LF
0605	01020	PERF PIPE HEADWALL TY 1-4 IN	2.00	EACH
0610	01024	PERF PIPE HEADWALL TY 2-4 IN	1.00	EACH
0615	01032	PERF PIPE HEADWALL TY 4-4 IN	1.00	EACH
0620	01202	PIPE CULVERT HEADWALL-15 IN	2.00	EACH
0625	01204	PIPE CULVERT HEADWALL-18 IN	12.00	EACH
0630	01210	PIPE CULVERT HEADWALL-30 IN	2.00	EACH
0635	01391	METAL END SECTION TY 3-18 IN	2.00	EACH
0640	01432	SLOPED BOX OUTLET TYPE 1-15 IN	2.00	EACH
0645	01456	CURB BOX INLET TYPE A	34.00	EACH
0650	01457	CURB BOX INLET TYPE A B	1.00	EACH
0655	01490	DROP BOX INLET TYPE 1	2.00	EACH
0660	01559	DROP BOX INLET TYPE 13G	9.00	EACH
0665	01568	DROP BOX INLET TYPE 13S	2.00	EACH
0670	01740	CORED HOLE DRAINAGE BOX CON-4 IN	57.00	EACH
0675	01756	MANHOLE TYPE A	2.00	EACH
0680	02607	FABRIC-GEOTEXTILE CLASS 2 FOR PIPE	11,827.00	SQYD
0685	04701	POLE 40 FT MTG HT	21.00	EACH
0690	04720	BRACKET 4 FT	3.00	EACH
0695	04723	BRACKET 10 FT	4.00	EACH
0700	04725	BRACKET 15 FT	14.00	EACH
0705	04740	POLE BASE	21.00	EACH
0710	04750	TRANSFORMER BASE	21.00	EACH
0715	04761	LIGHTING CONTROL EQUIPMENT	2.00	EACH
0720	04780	FUSED CONNECTOR KIT	42.00	EACH
0725	04797	CONDUIT-3 IN	854.00	LF
0730	04820	TRENCHING AND BACKFILLING	2,710.00	LF
0735	04821	OPEN CUT ROADWAY	71.00	LF
0740	04832	WIRE-NO. 12	3,306.00	LF
0745	20391NS835	ELECTRICAL JUNCTION BOX TYPE A	9.00	EACH
0750	24589ED	LED LUMINAIRE	21.00	EACH
0755	24851EC	CABLE-NO. 10/3C DUCTED	2,991.00	LF
0760	08002	STRUCTURE EXCAV-SOLID ROCK	378.00	CUYD

MATERIAL SUMMARY

Project Line No	Bid Code	DESCRIPTION	Quantity	Unit
0765	08003	FOUNDATION PREPARATION	1.00	LS
0770	08100	CONCRETE-CLASS A	294.00	CUYD
0775	08150	STEEL REINFORCEMENT	34,371.00	LB
0780	08002	STRUCTURE EXCAV-SOLID ROCK	183.00	CUYD
0785	08003	FOUNDATION PREPARATION	1.00	LS
0790	08100	CONCRETE-CLASS A	131.60	CUYD
0795	08150	STEEL REINFORCEMENT	12,649.00	LB
0800	02690	SAFELOADING	60.00	CUYD
0805	14000	W AIR RELEASE VALVE 1 INCH	8.00	EACH
0810	14005	W ENCASEMENT CONCRETE	40.00	LF
0815	14019	W FIRE HYDRANT ASSEMBLY	3.00	EACH
0820	14020	W FIRE HYDRANT RELOCATE	5.00	EACH
0825	14030	W METER RELOCATE	19.00	EACH
0830	14031	W METER VAULT	1.00	EACH
0835	14039	W PIPE DUCTILE IRON 12 INCH	3,250.00	LF
0840	14048	W PIPE DCTL IRON RSTRND JOINT 08 IN	30.00	LF
0845	14050	W PIPE DCTL IRON RSTRND JOINT 12 IN	1,100.00	LF
0850	14087	W STRUCTURE ABANDONMENT	1.00	EACH
0855	14095	W TIE-IN 08 INCH	1.00	EACH
0860	14108	W VALVE 12 INCH	7.00	EACH
0865	14145	W SERV COPPER LONG SIDE 1 IN	2.00	EACH
0870	14149	W SERV COPPER SHORT SIDE 1 IN	17.00	EACH
0875	15012	S ENCASEMENT CONCRETE	336.00	LF
0880	15026	S FORCE MAIN AIR RLS/VAC VLV 02 IN	2.00	EACH
0890	15123	S LINE MARKER	10.00	EACH
0895	02568	MOBILIZATION	1.00	LS
0900	02569	DEMOBILIZATION	1.00	LS
0905	16076	G SPECIAL ITEM - (TEST AND RELIGHT)	5.00	EACH
0910	16519	G PIPE POLYETHYLENE/PLASTIC 08 INCH INST - (REVISED 9-17-2021)	64.00	LF
0915	16521	G PIPE POLYETHYLENE/PLASTIC 12 INCH INST - (REVISED 9-17-2021)	6,428.00	LF
0920	16531	G SERVICE LONG SIDE 1 OR 1-1/4 INCH INST	5.00	EACH
0925	16553	G VALVE POLYETHYLENE/PLASTIC 08 IN INST	2.00	EACH
0930	16555	G VALVE POLYETHYLENE/PLASTIC 12 IN INST	1.00	EACH
0935	20818ND	GAS UTILITY COORDINATION	1.00	LS
0940	16540	G SERVICE SPECIAL INST - (ADDED 9-17-2021)	1.00	EACH
0945	15142	S FORCE MAIN DCTL IRON RSTRND 18 IN - (REVISED 9-22-2021)	3,846.00	LF

PROPOSAL BID ITEMS

211336

Page 1 of 7

Report Date 9/22/21

Section: 0001 - PAVING

LINE	BID CODE	ALT	DESCRIPTION	QUANTITY	UNIT	UNIT PRIC	FP	AMOUNT
0010	00001		DGA BASE	17,019.00	TON		\$	
0020	00013		LIME STABILIZED ROADBED	47,260.00	SQYD		\$	
0030	00014		LIME	1,396.00	TON		\$	
0040	00018		DRAINAGE BLANKET-TYPE II-ASPH	9,177.00	TON		\$	
0050	00020		TRAFFIC BOUND BASE	318.00	TON		\$	
0060	00100		ASPHALT SEAL AGGREGATE	13.00	TON		\$	
0070	00103		ASPHALT SEAL COAT	1.50	TON		\$	
0080	00190		LEVELING & WEDGING PG64-22	628.00	TON		\$	
0090	00214		CL3 ASPH BASE 1.00D PG64-22	15,653.00	TON		\$	
0100	00216		CL3 ASPH BASE 1.00D PG76-22	2,561.00	TON		\$	
0110	00221		CL2 ASPH BASE 0.75D PG64-22	1,448.00	TON		\$	
0120	00301		CL2 ASPH SURF 0.38D PG64-22	1,489.00	TON		\$	
0130	00356		ASPHALT MATERIAL FOR TACK	30.00	TON		\$	
0140	00358		ASPHALT CURING SEAL	85.00	TON		\$	
0150	00387		CL3 ASPH SURF 0.38B PG76-22	1,280.00	TON		\$	
0160	00388		CL3 ASPH SURF 0.38B PG64-22	2,530.00	TON		\$	
0170	02070		JPC PAVEMENT-12 IN	952.00	SQYD		\$	
0180	02084		JPC PAVEMENT-8 IN	802.00	SQYD		\$	
0190	02101		CEM CONC ENT PAVEMENT-8 IN	705.00	SQYD		\$	
0200	02677		ASPHALT PAVE MILLING & TEXTURING	81.00	TON		\$	
0210	02702		SAND FOR BLOTTER	236.00	TON		\$	

Section: 0002 - ROADWAY

LINE	BID CODE	ALT	DESCRIPTION	QUANTITY	UNIT	UNIT PRIC	FP	AMOUNT
0230	00078		CRUSHED AGGREGATE SIZE NO 2	5,291.00	TON		\$	
0240	01015		INSPECT & CERTIFY EDGE DRAIN SYSTEM (BOONE COUNTY)	1.00	LS		\$	
0250	01015		INSPECT & CERTIFY EDGE DRAIN SYSTEM (KENTON COUNTY)	1.00	LS		\$	
0260	01310		REMOVE PIPE	27.00	LF		\$	
0270	01810		STANDARD CURB AND GUTTER	12,209.00	LF		\$	
0280	01825		ISLAND CURB AND GUTTER	8,939.00	LF		\$	
0290	01830		STANDARD INTEGRAL CURB	680.00	LF		\$	
0300	01875		STANDARD HEADER CURB	499.00	LF		\$	
0310	01891		ISLAND HEADER CURB TYPE 2	415.00	LF		\$	
0320	01921		STANDARD BARRIER MEDIAN TYPE 4	273.00	SQYD		\$	
0330	01982		DELINEATOR FOR GUARDRAIL MONO DIRECTIONAL WHITE	23.00	EACH		\$	
0340	01984		DELINEATOR FOR BARRIER - WHITE	10.00	EACH		\$	
0350	01987		DELINEATOR FOR GUARDRAIL BI DIRECTIONAL WHITE	60.00	EACH		\$	
0360	02001		CURB TO BARRIER WALL TRANS	1.00	EACH		\$	
0370	02014		BARRICADE-TYPE III	12.00	EACH		\$	
0380	02091		REMOVE PAVEMENT	1,255.00	SQYD		\$	
0390	02159		TEMP DITCH	3,620.00	LF		\$	
0400	02160		CLEAN TEMP DITCH	1,810.00	LF		\$	

PROPOSAL BID ITEMS

211336

Page 2 of 7

Report Date 9/22/21

LINE	BID CODE	ALT	DESCRIPTION	QUANTITY	UNIT	UNIT PRIC	FP	AMOUNT
0410	02223		GRANULAR EMBANKMENT	834.00	CUYD		\$	
0420	02230		EMBANKMENT IN PLACE	250,876.00	CUYD		\$	
0430	02242		WATER	250.00	MGAL		\$	
0440	02351		GUARDRAIL-STEEL W BEAM-S FACE	4,850.00	LF		\$	
0450	02360		GUARDRAIL TERMINAL SECTION NO 1	7.00	EACH		\$	
0460	02367		GUARDRAIL END TREATMENT TYPE 1	2.00	EACH		\$	
0470	02369		GUARDRAIL END TREATMENT TYPE 2A	8.00	EACH		\$	
0480	02381		REMOVE GUARDRAIL	3,649.00	LF		\$	
0490	02387		GUARDRAIL CONNECTOR TO BRIDGE END TY A-1	1.00	EACH		\$	
0500	02391		GUARDRAIL END TREATMENT TYPE 4A	7.00	EACH		\$	
0510	02397		TEMP GUARDRAIL	2,362.50	LF		\$	
0520	02429		RIGHT-OF-WAY MONUMENT TYPE 1	44.00	EACH		\$	
0530	02432		WITNESS POST	64.00	EACH		\$	
0540	02482		CHANNEL LINING CLASS IA	140.00	TON		\$	
0550	02483		CHANNEL LINING CLASS II	744.00	TON		\$	
0560	02484		CHANNEL LINING CLASS III	1,363.00	TON		\$	
0570	02545		CLEARING AND GRUBBING (BOONE COUNTY)	1.00	LS		\$	
0580	02545		CLEARING AND GRUBBING (KENTON COUNTY)	1.00	LS		\$	
0590	02562		TEMPORARY SIGNS	1,000.00	SQFT		\$	
0600	02585		EDGE KEY	19.20	LF		\$	
0610	02603		FABRIC-GEOTEXTILE CLASS 2	10,650.00	SQYD		\$	
0620	02650		MAINTAIN & CONTROL TRAFFIC (BOONE COUNTY)	1.00	LS		\$	
0630	02650		MAINTAIN & CONTROL TRAFFIC (KENTON COUNTY)	1.00	LS		\$	
0640	02651		DIVERSIONS (BY-PASS DETOURS) (KENTON COUNTY-3 LOCATIONS)	1.00	LS		\$	
0650	02671		PORTABLE CHANGEABLE MESSAGE SIGN	2.00	EACH		\$	
0660	02673		PRECAST VEHICLE STOP	145.00	LF		\$	
0670	02676		MOBILIZATION FOR MILL & TEXT (BOONE COUNTY)	1.00	LS		\$	
0680	02701		TEMP SILT FENCE	3,620.00	LF		\$	
0690	02703		SILT TRAP TYPE A	46.00	EACH		\$	
0700	02704		SILT TRAP TYPE B	46.00	EACH		\$	
0710	02705		SILT TRAP TYPE C	46.00	EACH		\$	
0720	02706		CLEAN SILT TRAP TYPE A	92.00	EACH		\$	
0730	02707		CLEAN SILT TRAP TYPE B	92.00	EACH		\$	
0740	02708		CLEAN SILT TRAP TYPE C	92.00	EACH		\$	
0750	02720		SIDEWALK-4 IN CONCRETE	984.00	SQYD		\$	
0760	02726		STAKING (BOONE COUNTY)	1.00	LS		\$	
0770	02726		STAKING (KENTON COUNTY)	1.00	LS		\$	
0780	02731		REMOVE STRUCTURE (KENTON COUNTY - ALL 6 PARCELS)	1.00	LS		\$	
0790	02775		ARROW PANEL	2.00	EACH		\$	
0800	05950		EROSION CONTROL BLANKET	8,786.00	SQYD		\$	
0810	05952		TEMP MULCH	148,943.00	SQYD		\$	
0820	05953		TEMP SEEDING AND PROTECTION	111,707.00	SQYD		\$	

PROPOSAL BID ITEMS

211336

Page 3 of 7

Report Date 9/22/21

LINE	BID CODE	ALT	DESCRIPTION	QUANTITY	UNIT	UNIT PRIC	FP	AMOUNT
0830	05963		INITIAL FERTILIZER	5.20	TON		\$	
0840	05964		MAINTENANCE FERTILIZER	8.60	TON		\$	
0850	05985		SEEDING AND PROTECTION	155,195.00	SQYD		\$	
0860	05990		SODDING	16,608.00	SQYD		\$	
0870	05992		AGRICULTURAL LIMESTONE	139.00	TON		\$	
0880	06406		SBM ALUM SHEET SIGNS .080 IN	637.07	SQFT		\$	
0890	06407		SBM ALUM SHEET SIGNS .125 IN	204.09	SQFT		\$	
0900	06410		STEEL POST TYPE 1	1,123.67	LF		\$	
0910	06411		STEEL POST TYPE 2	42.00	LF		\$	
0920	06490		CLASS A CONCRETE FOR SIGNS	22.25	CUYD		\$	
0930	06510		PAVE STRIPING-TEMP PAINT-4 IN	55,200.00	LF		\$	
0940	06542		PAVE STRIPING-THERMO-6 IN W	8,325.00	LF		\$	
0950	06543		PAVE STRIPING-THERMO-6 IN Y	18,588.00	LF		\$	
0960	06566		PAVE MARKING-THERMO X-WALK-12 IN	444.00	LF		\$	
0970	06568		PAVE MARKING-THERMO STOP BAR-24IN	110.00	LF		\$	
0980	06569		PAVE MARKING-THERMO CROSS-HATCH	8,195.00	SQFT		\$	
0990	06573		PAVE MARKING-THERMO STR ARROW	6.00	EACH		\$	
1000	06574		PAVE MARKING-THERMO CURV ARROW	18.00	EACH		\$	
1010	06575		PAVE MARKING-THERMO COMB ARROW	11.00	EACH		\$	
1020	06576		PAVE MARKING-THERMO ONLY	1.00	EACH		\$	
1030	06578		PAVE MARKING-THERMO MERGE ARROW	3.00	EACH		\$	
1040	08901		CRASH CUSHION TY VI CLASS BT TL2	2.00	EACH		\$	
1050	08902		CRASH CUSHION TY VI CLASS B TL3	1.00	EACH		\$	
1060	10020NS		FUEL ADJUSTMENT	79,254.00	DOLL	\$1.00	\$	\$79,254.00
1070	10030NS		ASPHALT ADJUSTMENT	61,646.00	DOLL	\$1.00	\$	\$61,646.00
1080	20071EC		JOINT ADHESIVE	17,660.00	LF		\$	
1090	20100ES842		PAVE MARK TEMP PAINT LINE ARROW	10.00	EACH		\$	
1100	20191ED		OBJECT MARKER TY 3	7.00	EACH		\$	
1110	20550ND		SAWCUT PAVEMENT	1,002.00	LF		\$	
1120	21289ED		LONGITUDINAL EDGE KEY	977.00	LF		\$	
1130	21417ES717		PAVE MARK THERMO CONE CAP-SOLID YELLOW	121.00	SQFT		\$	
1140	21596ND		GMSS TYPE D	89.00	EACH		\$	
1150	22520EN		PAVE MARKING-THERMO YIELD BAR-36 IN	174.00	LF		\$	
1160	22664EN		WATER BLASTING EXISTING STRIPE	1,000.00	LF		\$	
1170	22692NS714		PAVEMENT MARKING-THERMO LETTERS	60.00	EACH		\$	
1180	23007EN		CONC MEDIAN BARRIER TY 9T	800.00	LF		\$	
1190	23010EN		PAVE MARK TEMP PAINT STOP BAR-24 IN	96.00	LF		\$	
1200	23158ES505		DETECTABLE WARNINGS	1,117.00	SQFT		\$	
1210	23274EN11F		TURF REINFORCEMENT MAT 1	257.00	SQYD		\$	
1220	23379EC		STAMPED CONCRETE	952.00	SQYD		\$	
1230	23649EC		DRAIN POND (KENTON COUNTY)	1.00	LS		\$	
1240	24115EC		ROUNDAABOUT ARROW	16.00	EACH		\$	
1250	24489EC		INLAID PAVEMENT MARKER	332.00	EACH		\$	
1260	24540		R/W MONUMENT TYPE 3	20.00	EACH		\$	
1270	24631EC		BARCODE SIGN INVENTORY	172.00	EACH		\$	
1280	24679ED		PAVE MARK THERMO CHEVRON	1,575.00	SQFT		\$	
1290	24683ED		PAVE MARKING-THERMO DOTTED LANE EXTEN	842.00	LF		\$	

PROPOSAL BID ITEMS

211336

Page 4 of 7

Report Date 9/22/21

LINE	BID CODE	ALT	DESCRIPTION	QUANTITY	UNIT	UNIT PRIC	FP	AMOUNT
1300	24814EC		PIPELINE INSPECTION	4,360.00	LF		\$	
1310	25078ED		THRIE BEAM GUARDRAIL TRANSITION TL-3	2.00	EACH		\$	

Section: 0003 - DRAINAGE

LINE	BID CODE	ALT	DESCRIPTION	QUANTITY	UNIT	UNIT PRIC	FP	AMOUNT
1320	00441		ENTRANCE PIPE-18 IN	496.00	LF		\$	
1330	00443		ENTRANCE PIPE-24 IN	50.00	LF		\$	
1340	00466		CULVERT PIPE-30 IN	177.00	LF		\$	
1350	00521		STORM SEWER PIPE-15 IN	1,712.00	LF		\$	
1360	00522		STORM SEWER PIPE-18 IN	1,995.00	LF		\$	
1370	00524		STORM SEWER PIPE-24 IN	39.00	LF		\$	
1380	01000		PERFORATED PIPE-4 IN	11,703.00	LF		\$	
1390	01010		NON-PERFORATED PIPE-4 IN	146.00	LF		\$	
1400	01020		PERF PIPE HEADWALL TY 1-4 IN	4.00	EACH		\$	
1410	01024		PERF PIPE HEADWALL TY 2-4 IN	1.00	EACH		\$	
1420	01028		PERF PIPE HEADWALL TY 3-4 IN	1.00	EACH		\$	
1430	01032		PERF PIPE HEADWALL TY 4-4 IN	1.00	EACH		\$	
1440	01202		PIPE CULVERT HEADWALL-15 IN	7.00	EACH		\$	
1450	01204		PIPE CULVERT HEADWALL-18 IN	14.00	EACH		\$	
1460	01210		PIPE CULVERT HEADWALL-30 IN	2.00	EACH		\$	
1470	01391		METAL END SECTION TY 3-18 IN	2.00	EACH		\$	
1480	01432		SLOPED BOX OUTLET TYPE 1-15 IN	2.00	EACH		\$	
1490	01456		CURB BOX INLET TYPE A	50.00	EACH		\$	
1500	01457		CURB BOX INLET TYPE A B	1.00	EACH		\$	
1510	01459		CURB BOX INLET TYPE A MOD	1.00	EACH		\$	
1520	01490		DROP BOX INLET TYPE 1	6.00	EACH		\$	
1530	01559		DROP BOX INLET TYPE 13G	12.00	EACH		\$	
1540	01568		DROP BOX INLET TYPE 13S	2.00	EACH		\$	
1550	01584		CAP DROP BOX INLET	3.00	EACH		\$	
1560	01641		JUNCTION BOX-15 IN	1.00	EACH		\$	
1570	01740		CORED HOLE DRAINAGE BOX CON-4 IN	86.00	EACH		\$	
1580	01756		MANHOLE TYPE A	2.00	EACH		\$	
1590	02607		FABRIC-GEOTEXTILE CLASS 2 FOR PIPE	14,158.00	SQYD	\$2.00	\$	\$28,316.00
1600	08100		CONCRETE-CLASS A	3.00	CUYD		\$	
1610	21541NN		CORED HOLE DRAINAGE BOX CON- 18 IN	1.00	EACH		\$	
1620	23610NC		CORED HOLE DRAINAGE BOX CON	1.00	EACH		\$	

Section: 0004 - BRIDGE - #28186 OVER NORFOLK SOUTHERN RAILWAY

LINE	BID CODE	ALT	DESCRIPTION	QUANTITY	UNIT	UNIT PRIC	FP	AMOUNT
1630	02231		STRUCTURE GRANULAR BACKFILL	148.20	CUYD		\$	
1640	02403		REMOVE CONCRETE MASONRY	53.00	CUYD		\$	
1650	03299		ARMORED EDGE FOR CONCRETE	48.50	LF		\$	
1660	08016		REINF CONC SLOPE WALL-6 IN	328.00	SQYD		\$	
1670	08033		TEST PILES	79.00	LF		\$	
1680	08046		PILES-STEEL HP12X53	288.00	LF		\$	

PROPOSAL BID ITEMS

211336

Page 5 of 7

Report Date 9/22/21

LINE	BID CODE	ALT	DESCRIPTION	QUANTITY	UNIT	UNIT PRIC	FP	AMOUNT
1690	08094		PILE POINTS-12 IN	10.00	EACH		\$	
1700	08100		CONCRETE-CLASS A	79.10	CUYD		\$	
1710	08104		CONCRETE-CLASS AA	222.30	CUYD		\$	
1720	08150		STEEL REINFORCEMENT	20,386.00	LB		\$	
1730	08151		STEEL REINFORCEMENT-EPOXY COATED	57,824.00	LB		\$	
1740	08672		PRECAST PC BOX BEAM SB42	643.00	LF		\$	
1750	08709		BRIDGE CHAIN LINK FENCE-7 FT	436.20	LF		\$	
1760	20637ED		DRILLED SHAFT-ROCK 48 IN	40.00	LF		\$	
1770	20745ED		ROCK SOUNDINGS	90.00	LF		\$	
1780	20746ED		ROCK CORINGS	88.00	LF		\$	
1790	22417EN		DRILLED SHAFT-54 IN-COMMON	45.00	LF		\$	
1800	23378EC		CONCRETE SEALING	10,662.00	SQFT		\$	
1810	23849EC		BICYCLE RAIL	218.10	LF		\$	
1820	25027ED		RAIL SYSTEM SINGLE SLOPE - 36 IN	218.10	LF		\$	

Section: 0005 - BRIDGE - #28184 CULVERT OVER UNNAMED CREEK

LINE	BID CODE	ALT	DESCRIPTION	QUANTITY	UNIT	UNIT PRIC	FP	AMOUNT
1830	08002		STRUCTURE EXCAV-SOLID ROCK	378.00	CUYD		\$	
1840	08003		FOUNDATION PREPARATION	1.00	LS		\$	
1850	08100		CONCRETE-CLASS A	294.00	CUYD		\$	
1860	08150		STEEL REINFORCEMENT	34,371.00	LB		\$	

Section: 0006 - BRIDGE - #28185 CULVERT OVER UNNAMED CREEK

LINE	BID CODE	ALT	DESCRIPTION	QUANTITY	UNIT	UNIT PRIC	FP	AMOUNT
1870	08002		STRUCTURE EXCAV-SOLID ROCK	183.00	CUYD		\$	
1880	08003		FOUNDATION PREPARATION	1.00	LS		\$	
1890	08100		CONCRETE-CLASS A	131.60	CUYD		\$	
1900	08150		STEEL REINFORCEMENT	12,649.00	LB		\$	

Section: 0007 - UTILITY

LINE	BID CODE	ALT	DESCRIPTION	QUANTITY	UNIT	UNIT PRIC	FP	AMOUNT
1910	02690		SAFELOADING	60.00	CUYD		\$	
1920	14000		W AIR RELEASE VALVE 1 INCH	8.00	EACH		\$	
1930	14005		W ENCASMENT CONCRETE	40.00	LF		\$	
1940	14019		W FIRE HYDRANT ASSEMBLY	3.00	EACH		\$	
1950	14020		W FIRE HYDRANT RELOCATE	6.00	EACH		\$	
1960	14030		W METER RELOCATE	19.00	EACH		\$	
1970	14031		W METER VAULT	1.00	EACH		\$	
1980	14037		W PIPE DUCTILE IRON 08 INCH	320.00	LF		\$	
1990	14039		W PIPE DUCTILE IRON 12 INCH	3,250.00	LF		\$	
2000	14048		W PIPE DCTL IRON RSTRND JOINT 08 IN	30.00	LF		\$	
2010	14050		W PIPE DCTL IRON RSTRND JOINT 12 IN	1,100.00	LF		\$	
2020	14087		W STRUCTURE ABANDONMENT	1.00	EACH		\$	

PROPOSAL BID ITEMS

211336

Page 6 of 7

Report Date 9/22/21

LINE	BID CODE	ALT	DESCRIPTION	QUANTITY	UNIT	UNIT PRIC	FP	AMOUNT
2030	14095		W TIE-IN 08 INCH	2.00	EACH		\$	
2040	14106		W VALVE 08 INCH	1.00	EACH		\$	
2050	14108		W VALVE 12 INCH	7.00	EACH		\$	
2060	14145		W SERV COPPER LONG SIDE 1 IN	2.00	EACH		\$	
2070	14149		W SERV COPPER SHORT SIDE 1 IN	17.00	EACH		\$	
2080	15012		S ENCASEMENT CONCRETE	336.00	LF		\$	
2090	15019		S ENCASEMENT STEEL BORED RANGE 6	248.00	LF		\$	
2100	15023		S ENCASEMENT STEEL OPEN CUT RANGE 4	105.00	LF		\$	
2110	15026		S FORCE MAIN AIR RLS/VAC VLV 02 IN	4.00	EACH		\$	
2120	15142		S FORCE MAIN DCTL IRON RSTRND 18 IN (REVISED 9-22-2021)	5,850.00	LF		\$	
2130	15090		S LATERAL SHORT SIDE 06 INCH	2.00	EACH		\$	
2140	15092		S MANHOLE	1.00	EACH		\$	
2150	15093		S MANHOLE ABANDON/REMOVE	1.00	EACH		\$	
2160	15112		S PIPE PVC 08 INCH	8.00	LF		\$	
2170	15123		S LINE MARKER	17.00	EACH		\$	
2180	15500		S ENCASEMENT SPECIAL INST	1.00	LF		\$	
2190	40027		ROCK EXCAVATION	100.00	CUYD		\$	

Section: 0008 - SIGNALS

LINE	BID CODE	ALT	DESCRIPTION	QUANTITY	UNIT	UNIT PRIC	FP	AMOUNT
2200	04792		CONDUIT-1 IN	10.00	LF		\$	
2210	04811		ELECTRICAL JUNCTION BOX TYPE B	2.00	EACH		\$	
2220	04820		TRENCHING AND BACKFILLING	132.00	LF		\$	
2230	04830		LOOP WIRE	950.00	LF		\$	
2240	04844		CABLE-NO. 14/5C	1,520.00	LF		\$	
2250	04845		CABLE-NO. 14/7C	108.00	LF		\$	
2260	04850		CABLE-NO. 14/1 PAIR	1,022.00	LF		\$	
2270	04885		MESSENGER-10800 LB	361.00	LF		\$	
2280	04895		LOOP SAW SLOT AND FILL	358.00	LF		\$	
2290	04932		INSTALL STEEL STRAIN POLE	4.00	EACH		\$	
2300	04953		TEMP RELOCATION OF SIGNAL HEAD	7.00	EACH		\$	
2310	20093NS835		INSTALL PEDESTRIAN HEAD-LED	2.00	EACH		\$	
2320	20188NS835		INSTALL LED SIGNAL-3 SECTION	5.00	EACH		\$	
2330	20266ES835		INSTALL LED SIGNAL- 4 SECTION	2.00	EACH		\$	
2340	20390NS835		INSTALL COORDINATING UNIT	1.00	EACH		\$	
2350	21743NN		INSTALL PEDESTRIAN DETECTOR	2.00	EACH		\$	
2360	23157EN		TRAFFIC SIGNAL POLE BASE	17.20	CUYD		\$	
2370	23235EC		INSTALL PEDESTAL POST	2.00	EACH		\$	
2380	24900EC		PVC CONDUIT-1 1/4 IN-SCHEDULE 80	112.00	LF		\$	
2390	24901EC		PVC CONDUIT-2 IN-SCHEDULE 80	40.00	LF		\$	
2400	24908EC		INSTALL SIGNAL CONTROLLER-TY ATC	1.00	EACH		\$	
2410	24955ED		REMOVE SIGNAL EQUIPMENT	1.00	EACH		\$	

Section: 0009 - LIGHTING

PROPOSAL BID ITEMS

211336

Page 7 of 7

Report Date 9/22/21

LINE	BID CODE	ALT	DESCRIPTION	QUANTITY	UNIT	UNIT PRIC	FP	AMOUNT
2420	04701		POLE 40 FT MTG HT	21.00	EACH		\$	
2430	04720		BRACKET 4 FT	3.00	EACH		\$	
2440	04723		BRACKET 10 FT	4.00	EACH		\$	
2450	04725		BRACKET 15 FT	14.00	EACH		\$	
2460	04740		POLE BASE	21.00	EACH		\$	
2470	04750		TRANSFORMER BASE	21.00	EACH		\$	
2480	04761		LIGHTING CONTROL EQUIPMENT	2.00	EACH		\$	
2490	04780		FUSED CONNECTOR KIT	42.00	EACH		\$	
2500	04797		CONDUIT-3 IN	854.00	LF		\$	
2510	04820		TRENCHING AND BACKFILLING	2,710.00	LF		\$	
2520	04821		OPEN CUT ROADWAY	71.00	LF		\$	
2530	04832		WIRE-NO. 12	3,306.00	LF		\$	
2540	20391NS835		ELECTRICAL JUNCTION BOX TYPE A	9.00	EACH		\$	
2550	24589ED		LED LUMINAIRE	21.00	EACH		\$	
2560	24851EC		CABLE-NO. 10/3C DUCTED	2,991.00	LF		\$	

Section: 0010 - GASLINE

LINE	BID CODE	ALT	DESCRIPTION	QUANTITY	UNIT	UNIT PRIC	FP	AMOUNT
2570	16076		G SPECIAL ITEM (TEST AND RELIGHT)	5.00	EACH	\$654.48	\$	\$3,272.40
2580	16519		G PIPE POLYETHYLENE/PLASTIC 08 INCH INST (REVISED 9-17-2021)	64.00	LF	\$100.00	\$	\$6,400.00
2590	16521		G PIPE POLYETHYLENE/PLASTIC 12 INCH INST (REVISED 9-17-2021)	6,428.00	LF	\$128.65	\$	\$826,962.20
2600	16531		G SERVICE LONG SIDE 1 OR 1-1/4 INCH INST	5.00	EACH	\$1,505.96	\$	\$7,529.80
2605	16540		G SERVICE SPECIAL INST (ADDED 9-17-2021)	1.00	EACH	\$2,600.00	\$	\$2,600.00
2610	16553		G VALVE POLYETHYLENE/PLASTIC 08 IN INST	2.00	EACH	\$750.00	\$	\$1,500.00
2620	16555		G VALVE POLYETHYLENE/PLASTIC 12 IN INST	1.00	EACH	\$950.00	\$	\$950.00
2630	20818ND		GAS UTILITY COORDINATION	1.00	LS		\$	

Section: 0011 - MOBILIZATION & DEMOBILIZATION

LINE	BID CODE	ALT	DESCRIPTION	QUANTITY	UNIT	UNIT PRIC	FP	AMOUNT
2640	02568		MOBILIZATION	1.00	LS		\$	
2650	02569		DEMOBILIZATION	1.00	LS		\$	

**SANITARY FORCE MAIN SUMMARY
(SEE DRAWINGS U19 THROUGH U23)**

ITEM NO.	ITEM DESCRIPTION	UNIT	KY 536 TOTALS
40027	ROCK REMOVAL	CY	100
15012	S ENCASEMENT CONCRETE	LF	336
15019	S ENCASEMENT STEEL BORED RANGE 6	LF	248
15026	S FORCE MAIN AIR RLS/VAC VLV 02 IN	EA	4
15142	S FORCE MAIN DCTL IRON RSTRND 18 IN	LF	5,850
15123	S LINE MARKER	EACH	15

**TOEBBEN DRIVE GRAVITY SEWER MANHOLE RELOCATION SUMMARY
(SEE DRAWING U24)**

ITEM NO.	ITEM DESCRIPTION	UNIT	KY 536 TOTALS
15090	S LATERAL SHORT SIDE 06 INCH	EA	2
15092	S MANHOLE	EA	1
15093	S MANHOLE ABANDON/REMOVE	EA	1
15112	S PIPE PVC 08 INCH	LF	8

**JACK AND BORE FORCE MAIN CASING KY536 STA 113+50 SUMMARY
(SEE DRAWING U25)**

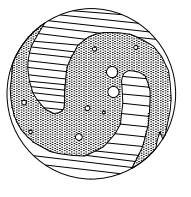
ITEM NO.	DESCRIPTION	UNIT	KY 536 TOTALS
15023	S ENCASEMENT STEEL OPEN CUT RANGE4	LF	105
15123	S LINE MARKER	EACH	2
15500	S ENCASEMENT SPECIAL INST	LS	1



Stantec
 Stantec Consulting Services Inc.
 3032 Beccumont Centre Circle
 Lexington, KY 40513
 Tel: 859.422.3000
 www.stantec.com

Copyright Reserved
 The Contractor shall verify and be responsible for all dimensions. DO NOT scale the drawing. The Contractor shall verify all dimensions and locations on the property. Reproduction of this drawing for any purpose other than that authorized by Stantec is forbidden.

Client/Project Logo



SANITATION DISTRICT NO. 1
 1045 Eaton Drive
 Ft. Wright, Kentucky 41017
 Ph: (859) 578-7460
 Fax: (859) 331-2436

Client/Project
 SANITATION DISTRICT NO. 1
 OF NORTHERN KENTUCKY

**KY 536 (MOUNT ZION ROAD)
 PROPOSED SANITARY SEWER FORCE MAIN
 KENTON/BOONE COUNTY, KENTUCKY**

File Name: 78232C-03-SUMMARY
 Date: 08/21/2021
 User: YYY\AMLD

Title
 BID ITEM SUMMARY

Project No. 175578232
 Scale AS NOTED

Revision 0
 Sheet 3 of 12
 Drawing No. U18

Permit/Seal

ISSUED FOR BID

ISSUED FOR BID
 ISSUED

By: _____
 Appd: _____
 YYY\AMLD

Revision

By: _____
 Appd: _____
 YYY\AMLD

**SANITARY FORCE MAIN SUMMARY
(SEE DRAWINGS U19 THROUGH U23)**

ITEM NO.	ITEM DESCRIPTION	UNIT	KY 536 TOTALS
40027	ROCK REMOVAL	CY	100
15012	S ENCASEMENT CONCRETE	LF	336
15019	S ENCASEMENT STEEL BORED RANGE 6	LF	248
15026	S FORCE MAIN AIR RLS/VAC VLV 02 IN	EA	4
15142	S FORCE MAIN DCTL IRON RSTRND 18 IN	LF	5,850
15123	S LINE MARKER	EACH	15

**TOEBBEN DRIVE GRAVITY SEWER MANHOLE RELOCATION SUMMARY
(SEE DRAWING U24)**

ITEM NO.	ITEM DESCRIPTION	UNIT	KY 536 TOTALS
15090	S LATERAL SHORT SIDE 06 INCH	EA	2
15092	S MANHOLE	EA	1
15093	S MANHOLE ABANDON/REMOVE	EA	1
15112	S PIPE PVC 08 INCH	LF	8

**JACK AND BORE FORCE MAIN CASING KY536 STA 113+50 SUMMARY
(SEE DRAWING U25)**

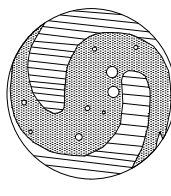
ITEM NO.	DESCRIPTION	UNIT	KY 536 TOTALS
15023	S ENCASEMENT STEEL OPEN CUT RANGE4	LF	105
15123	S LINE MARKER	EACH	2
15500	S ENCASEMENT SPECIAL INST	LS	1



Stantec
 Stantec Consulting Services Inc.
 3032 Beccumont Centre Circle
 Lexington, KY 40513
 Tel: 859.422.3000
 www.stantec.com

Copyright Reserved
 The Contractor shall verify and be responsible for all dimensions. DO NOT scale the drawing. The Contractor shall verify and be responsible for all dimensions. DO NOT scale the drawing. The copyright to all designs and drawings are the property of Stantec. Reproduction or use for any purpose other than that authorized by Stantec is forbidden.

Client/Project Logo



SANITATION DISTRICT NO. 1
 1045 Eaton Drive
 Ft. Wright, Kentucky 41017
 Ph: (859) 578-7460
 Fax: (859) 331-2436

Client/Project
 SANITATION DISTRICT NO. 1
 OF NORTHERN KENTUCKY

**KY 536 (MOUNT ZION ROAD)
 PROPOSED SANITARY SEWER FORCE MAIN
 KENTON/BOONE COUNTY, KENTUCKY**

File Name: 78232C-03-SUMMARY
 Date: 08/21/2021
 User: YYY\AMLD

Title
 BID ITEM SUMMARY

Project No. 175578232
 Scale AS NOTED

Revision 0
 Sheet 3 of 12
 Drawing No. U18

Permit/Seal

ISSUED FOR BID

Revision

By: _____ Appd: YYY\AMLD

By: _____ Appd: YYY\AMLD

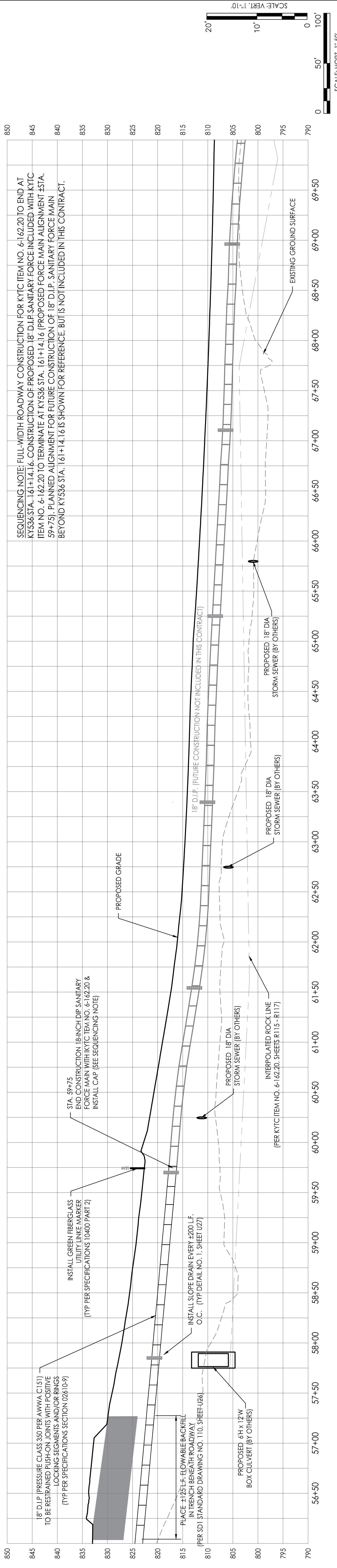
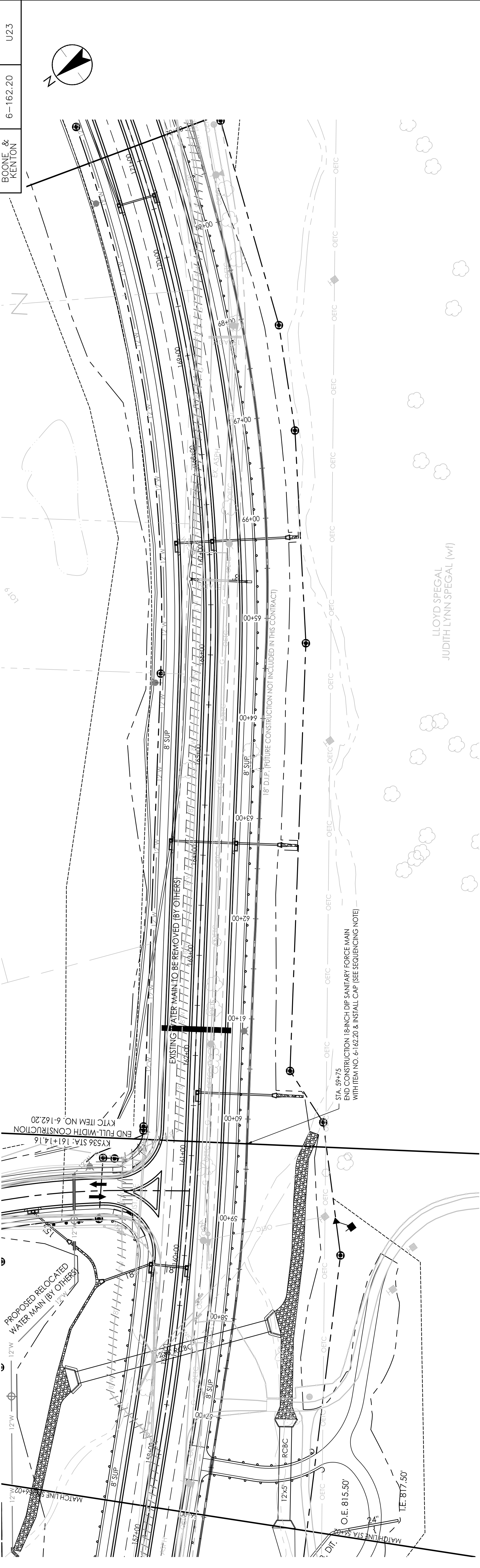
By: _____ Appd: YYY\AMLD

By: _____ Appd: YYY\AMLD

ISSUED FOR BID

ISSUED

COUNTY OF	BOONE & KENTON	ITEM NO.	6-162.20	SHEET NO.	U23
-----------	----------------	----------	----------	-----------	-----



SCALE: HORIZ. 1"=100'
SCALE: VERT. 1"=10'

SEQUENCING NOTE: FULL-WIDTH ROADWAY CONSTRUCTION FOR KYTC ITEM NO. 6-162.20 TO END AT KY536 STA. 161+14.16. CONSTRUCTION OF PROPOSED 18" D.I.P. SANITARY FORCE MAIN INCLUDED WITH KYC ITEM NO. 6-162.20 TO TERMINATE AT KY536 STA. 161+14.16 (PROPOSED FORCE MAIN ALIGNMENT 357A, 59+75). PLANNED ALIGNMENT FOR FUTURE CONSTRUCTION OF 18" D.I.P. SANITARY FORCE MAIN BEYOND KY536 STA. 161+14.16 IS SHOWN FOR REFERENCE, BUT IS NOT INCLUDED IN THIS CONTRACT.

18" D.I.P. (PRESSURE CLASS 350 PER AWWA C151) TO BE RESTRAINED PUSH-ON JOINTS WITH POSITIVE LOCKING SEGMENTS AND/OR RINGS (TYP PER SPECIFICATIONS 10400 PART 2)

INSTALL GREEN FIBERGLASS UTILITY LINE MARKER (TYP PER SPECIFICATIONS 10400 PART 2)

STA. 59+75
END CONSTRUCTION 18-INCH DIP SANITARY FORCE MAIN WITH KYTC ITEM NO. 6-162.20 & INSTALL CAP (SEE SEQUENCING NOTE)

EXISTING WATER MAIN TO BE REMOVED (BY OTHERS)

EXISTING 18-INCH DIP SANITARY FORCE MAIN WITH ITEM NO. 6-162.20 & INSTALL CAP (SEE SEQUENCING NOTE)

18" D.I.P. (FUTURE CONSTRUCTION NOT INCLUDED IN THIS CONTRACT)

PROPOSED 18" DIA. STORM SEWER (BY OTHERS)

PROPOSED 18" DIA. STORM SEWER (BY OTHERS)

PROPOSED 18" DIA. STORM SEWER (BY OTHERS)

PROPOSED 18" DIA. STORM SEWER (BY OTHERS)

INTERPOLATED ROCK LINE (PER KYTC ITEM NO. 6-162.20, SHEETS R13-R17)

PROPOSED 6H x 12W BOX CULVERT (BY OTHERS)

PROPOSED 4H x 12W BOX CULVERT (BY OTHERS)

INSTALL SLOPE DRAIN EVERY 4200 L.F. IN TRENCH BENEATH ROADWAY O.C. (TYP DETAIL NO. 1, SHEET U27)

PLACE ±125 L.F. FLOWABLE BACKFILL IN TRENCH BENEATH ROADWAY (PER SD STANDARD DRAWING NO. 110, SHEET U26)

PROPOSED GRADE

EXISTING GROUND SURFACE

Client/Project
SANITATION DISTRICT NO. 1
OF NORTHERN KENTUCKY

KY 536 (MOUNT ZION ROAD)
PROPOSED SANITARY SEWER FORCE MAIN

KENTON/BOONE COUNTY, KENTUCKY

Project No. 175578232
Scale AS NOTED
Revision Sheet 0 of 12
Drawing No. U23

Client/Project Logo

SANITATION DISTRICT NO. 1
1045 Eaton Drive
FT. Wright, Kentucky 41017
Ph: (859) 578-7460
Fax: (859) 331-2436

Permit/Seal

ISSUED FOR BID

ISSUED

Consultant

ISSUED FOR BID

ISSUED

Permit/Seal

ISSUED FOR BID

ISSUED

Permit/Seal

ISSUED FOR BID

ISSUED